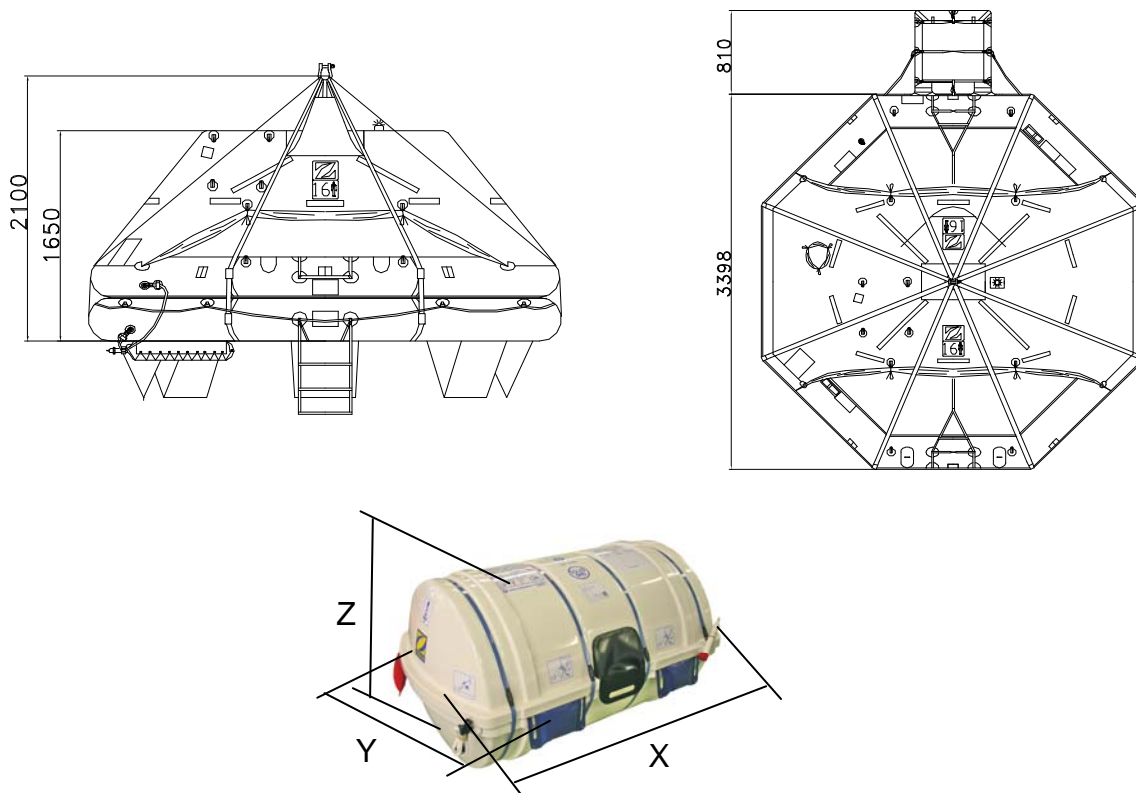
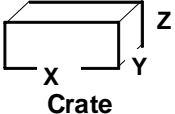


16 PERSON DAVIT LAUNCHED LIFERAFT ROUND CONTAINER



16 MAN	A PACK			B PACK		
Container	N15B			N14B		
Dimensions	X: 1275 mm	Y: 800 mm	Z: 740 mm	X: 1275 mm	Y: 680 mm	Z: 615 mm
	X: 4' 2,2"	Y: 2' 7,5"	Z: 2' 5,14"	X: 4' 2,2"	Y: 2' 2,78"	Z: 2' 0,22"
Liferaft Net Weight	155 kg / 342 pounds			110 kg / 243 pounds		
Height stowage	25 m / 83'		36 m / 119'	25 m / 83'		36 m / 119'
Painter line length	35 m / 115'		50 m / 165'	35 m / 115'		50 m / 165'
Inflation Cylinder	1 x 15 liter					

 Crate	X: 1355 mm	Y: 840 mm	Z: 900 mm	X: 1355 mm	Y: 720 mm	Z: 770 mm
		X: 4' 5,35"	Y: 2' 9,08"	Z: 2' 11,44"	X: 4' 5,35"	Y: 2' 4,35"
	190 kg / 419 pounds			141 kg / 311 pounds		
	1,025 m3 / 36,18 cubic foot			0,752 m3 / 26,53 cubic foot		

Towing force	2 knots	3 knots
Without sea anchor	45 daN	83 daN
With sea anchor	55 daN	100 daN

Approvals:	EC (MED) – USCG – TC – RMRS – BV – CCS
-------------------	---

16 DL cont rond 22122010 KLT.doc	Issue : 5	Date: 22/12/2010
----------------------------------	-----------	------------------

Dimensions and weight +/- 5%
 SURVITEC SAS reserves the right to change specification without notice.
 For installation, add minimum +10mm for clearance to dimensions of the container.