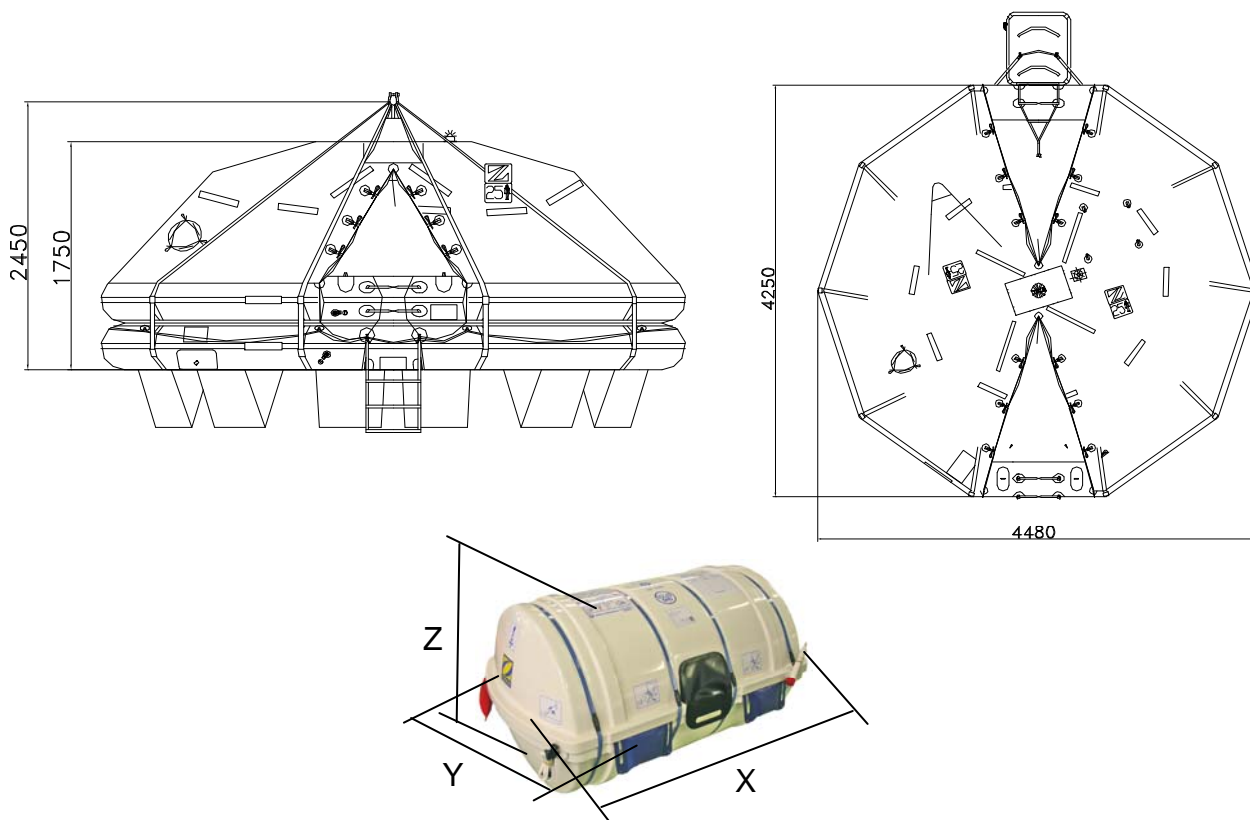
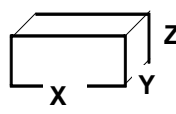


## 25 PERSON DAVIT LAUNCHED LIFERAFT (NG) ROUND CONTAINER



25 MAN	A PACK			B PACK		
Container	N16B			N15B		
Dimensions	X: 1450 mm X: 4' 9,09"	Y: 800 mm Y: 2' 7,5"	Z: 740 mm Z: 2' 5,14"	X: 1275 mm X: 4' 2,2"	Y: 800 mm Y: 2' 7,5"	Z: 740 mm Z: 2' 5,14"
Liferaft Net Weight	200 kg / 441 pounds			140 kg / 309 pounds		
Max. height stowage	25 m / 83'	36 m / 119'		25 m / 83'	36 m / 119'	
Painter line length	35 m / 115'	50 m / 165'		35 m / 115'	50 m / 165'	
Inflation Cylinder	1 x 20 liter					

 <b>Crate</b>	X: 1530 mm X: 5' 0,24"	Y: 850 mm Y: 2' 9,47"	Z: 900 mm Z: 2' 11,44"	X: 1355 mm X: 4' 5,35"	Y: 840 mm Y: 2' 9,08"	Z: 900 mm Z: 2' 11,44"
	240 kg / 530 pounds			175 kg / 386 pounds		
	1,171 m3 / 41,33 cubic foot			1,025 m3 / 36,18 cubic foot		

<b>Towing force</b>	<b>2 knots</b>	<b>3 knots</b>
Without sea anchor	53 daN	187 daN
With sea anchor	61 daN	221 daN

**Approvals:** **EC (MED) – USCG – TC – RMRS – BV – CCS**

25 DL cont rond 22122010 KLT.doc Issue : 6 Date: 22/12/2010

Dimensions and weight +/- 5%  
 SURVITEC SAS reserves the right to change specification without notice.  
 For installation, add minimum +10mm for clearance to dimensions of the container.