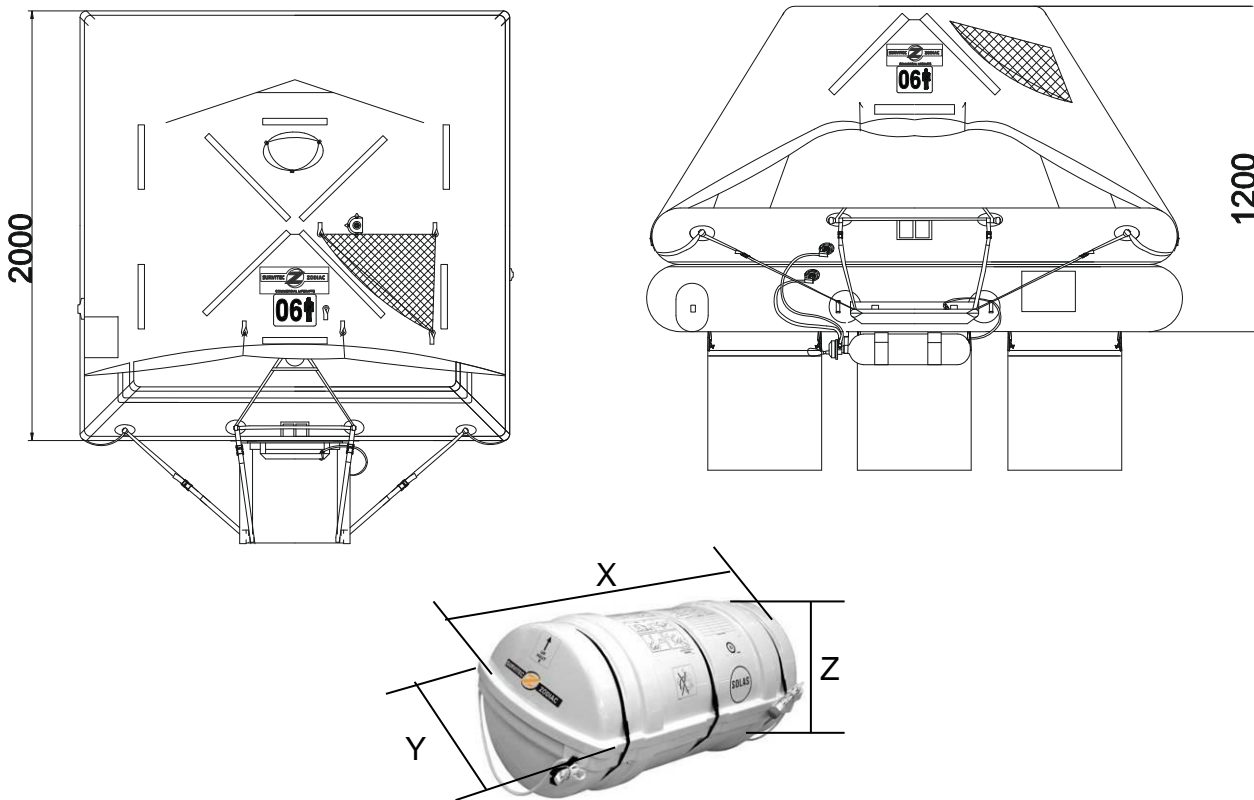
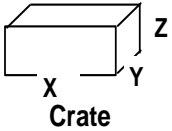


## 6 MAN THROW OVER BOARD LIFERAFT ROUND CONTAINER SOLAS A & B PACK



6 MAN	A PACK			B PACK		
<b>Container</b>	<b>N12</b>			<b>N11</b>		
Dimensions	X: 1160 mm	Y: 560 mm	Z: 513 mm	X: 1020 mm	Y: 476 mm	Z: 440 mm
	X: 3' 9,67"	Y: 1' 10,05"	Z: 1' 8,2"	X: 3' 4,16"	Y: 1' 6,75"	Z: 1' 5,33"
Liferaft Net Weight	60 kg / 133 pounds			43 kg / 95 pounds		
Height stowage	25 m / 83'		36 m / 119'	25 m / 83'		36 m / 119'
Painter line length	35 m / 115'		50 m / 165'	35 m / 115'		50 m / 165'
Inflation Cylinder	1 x 4 liter					

 Crate	X: 1230 mm	Y: 620 mm	Z: 650 mm	X: 1070 mm	Y: 560 mm	Z: 610 mm
	X: 4' 0,43"	Y: 2' 0,41"	Z: 2' 1,6"	X: 3' 6,13"	Y: 1' 10,05"	Z: 2' 0,02"
	73 kg / 161 pounds			55 kg / 122 pounds		
	0,496 m3 / 17,51 cubic foot			0,366 m3 / 12,91 cubic foot		

<b>Towing force</b>	<b>2 knots</b>	<b>3 knots</b>
Without sea anchor	35 daN	60 daN
With sea anchor	80 daN	145 daN

<b>Approvals:</b>	<b>EC (MED) – USCG – TC – RMRS – BV – CCS</b>
-------------------	---

06 TO cont rond 13022017 KLT.doc	Issue: 9	Date: 13/02/2017
----------------------------------	----------	------------------

Dimensions and weight +/- 5%  
 SURVITEC SAS reserves the right to change specification without notice.  
 For installation, add minimum +10mm for clearance to dimensions of the container.