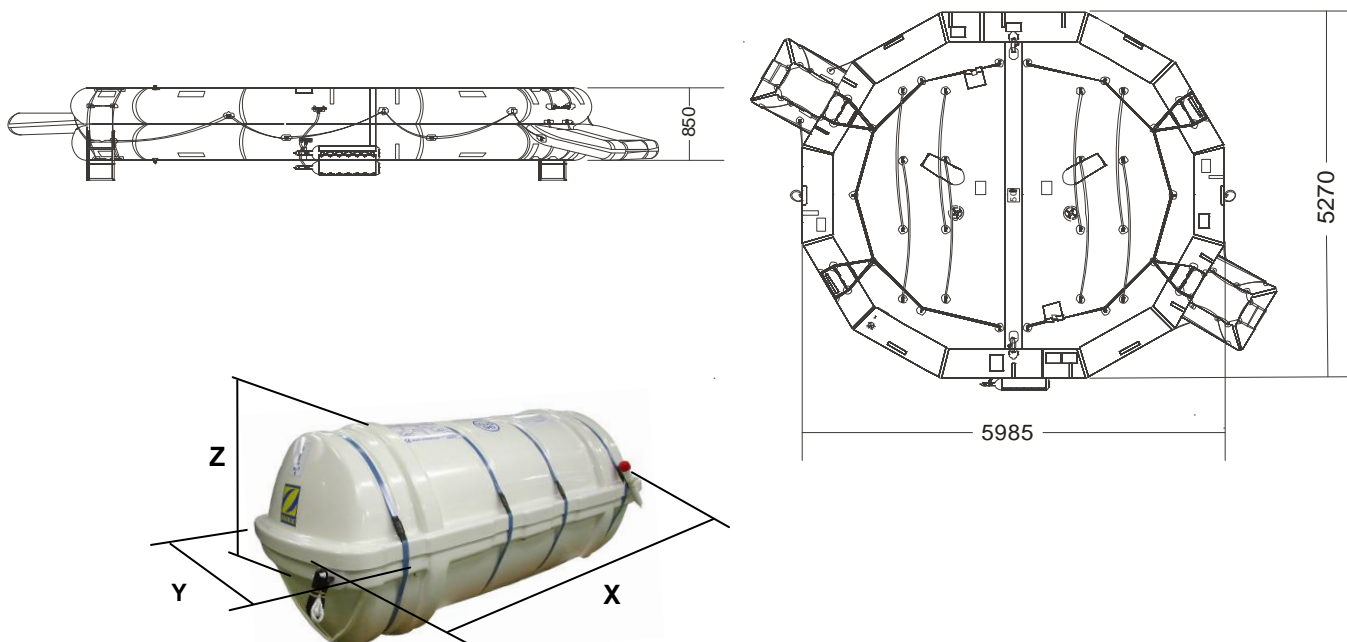
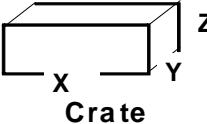


## IBA CCG R 75 MAN OPEN REVERSIBLE INFLATABLE LIFERAFT ROUND CONTAINER



75 MAN			
<b>Container</b>	<b>N14</b>		
Dimensions	X: 1275 mm	Y: 680 mm	Z: 615 mm
	X: 4' 2,2"	Y: 2' 2,78"	Z: 2' 0,22"
Liferaft Net Weight	167 kg / 369 pounds		
Max. height stowage	18 m / 60'		
Painter line length	25 m / 83'		
Inflation Cylinder	2 x 20 liter		
 Crate	X: 1340 mm	Y: 720 mm	Z: 800 mm
	X: 4' 4,76"	Y: 2' 4,35"	Z: 2' 7,5"
	198 kg / 437 pounds		
	0,772 m <sup>3</sup> / 27,26 cubic foot		
<b>Towing force</b>	<b>2 knots</b>		<b>3 knots</b>
Without sea anchor	128 daN		190 daN
With sea anchor	135 daN		200 daN

<b>Approvals:</b>	<b>TC - CRS</b>
-------------------	-----------------

IBA CCG R 75 cont rond 27052009 KLT.doc	Issue : 2	Date: 27/05/2009
---	-----------	------------------

Dimensions and weight +/- 5%  
 SURVITEC SAS reserves the right to change specification without notice.  
 For installation, add minimum +10mm for clearance to dimensions of the container.