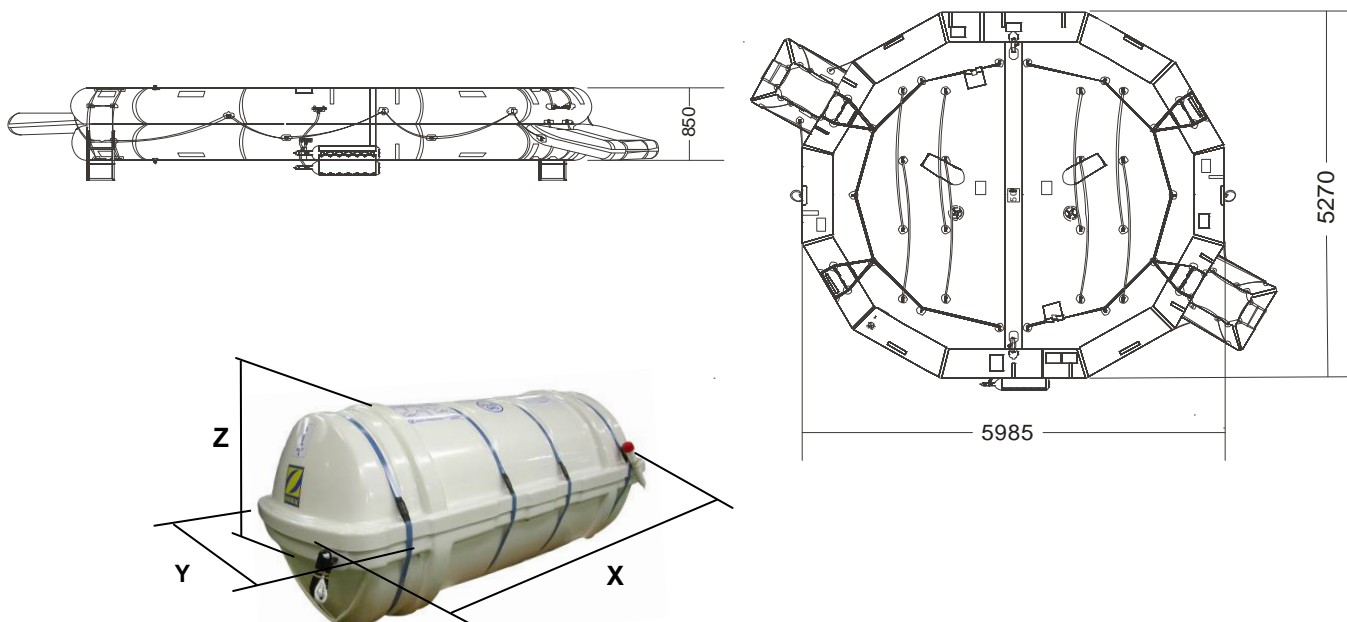
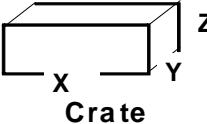


IBA CCG R 75 MAN OPEN REVERSIBLE INFLATABLE LIFERAFT ROUND CONTAINER – PACKED IN VACUUM POUCH (EPE)



75 MAN EPE			
Container	N14		
Dimensions	X: 1275 mm	Y: 680 mm	Z: 615 mm
	X: 4' 2,2"	Y: 2' 2,78"	Z: 2' 0,22"
Liferaft Net Weight	167 kg / 369 pounds		
Max. height stowage	18 m / 60'		
Painter line length	25 m / 83'		
Inflation Cylinder	2 x 20 liter		
 Crate	X: 1340 mm	Y: 720 mm	Z: 800 mm
	X: 4' 4,76"	Y: 2' 4,35"	Z: 2' 7,5"
	198 kg / 437 pounds		
	0,772 m ³ / 27,26 cubic foot		
Towing force	2 knots		3 knots
Without sea anchor	128 daN		190 daN
With sea anchor	135 daN		200 daN

Approvals:	TC
-------------------	-----------

IBA CCG R 75 EPE cont rond 03032009 KLT.doc	Issue : 1	Date: 03/03/2009
---	-----------	------------------

Dimensions and weight +/- 5%
 SURVITEC SAS reserves the right to change specification without notice.
 For installation, add minimum +10mm for clearance to dimensions of the container.