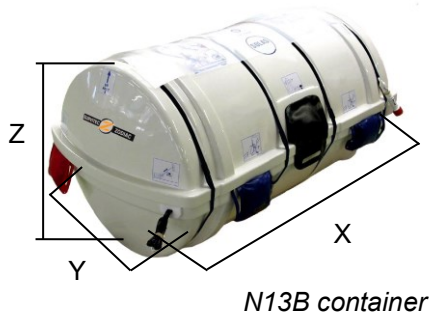
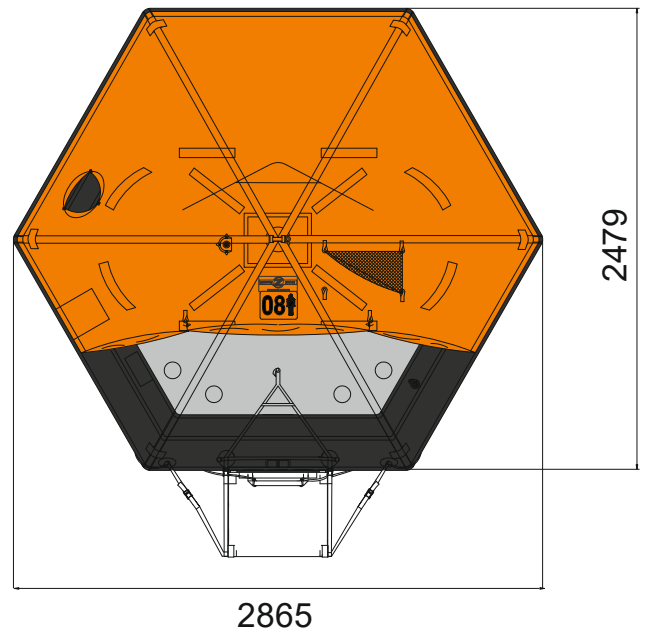
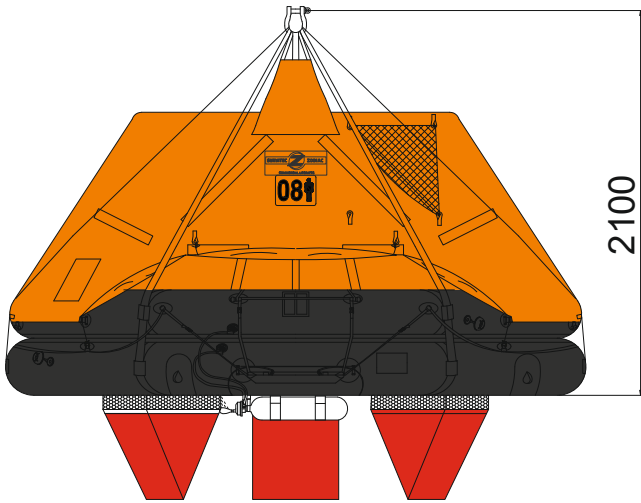
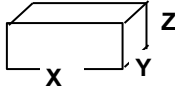


## 08 PERSON DAVIT LAUNCHED LIFERAFT ROUND CONTAINER



08 MAN	A PACK			B PACK		
Container	N13B			N12		
Dimensions	X: 1275 mm	Y: 610 mm	Z: 590 mm	X: 1160 mm	Y: 560 mm	Z: 513 mm
	X: 4' 2,2"	Y: 2' 0,02"	Z: 1' 11,23"	X: 3' 9,67"	Y: 1' 10,05"	Z: 1' 8,2"
Liferaft Net Weight	84 kg / 186 pounds			63 kg / 139 pounds		
Height storage	36 m / 119'			36 m / 119'		
Painter line length	35 m / 115'		50 m / 165'	35 m / 115'		50 m / 165'
Inflation Cylinder	1 x 6,7 liters					
 <b>Crate</b>	X: 1360 mm	Y: 650 mm	Z: 740 mm	X: 1240 mm	Y: 620 mm	Z: 700 mm
	X: 4' 5,55"	Y: 2' 1,6"	Z: 2' 5,14"	X: 4' 0,82"	Y: 2' 0,41"	Z: 2' 3,56"
	111 kg / 245 pounds			85 kg / 188 pounds		
	0,655 m <sup>3</sup> / 23,1 cubic foot			0,539 m <sup>3</sup> / 19,01 cubic foot		
<b>Towing force</b>	<b>2 knots</b>			<b>3 knots</b>		
Without sea anchor	35 daN			60 daN		
With sea anchor	80 daN			145 daN		

Approvals:	EC (MED) - USCG	
08 DL cont rond.doc	Issue: 1	Date: 12/10/2015

Dimensions and weight +/- 5%  
 SURVITEC SAS reserves the right to change specification without notice.  
 For installation, add minimum +10mm for clearance to dimensions of the container.