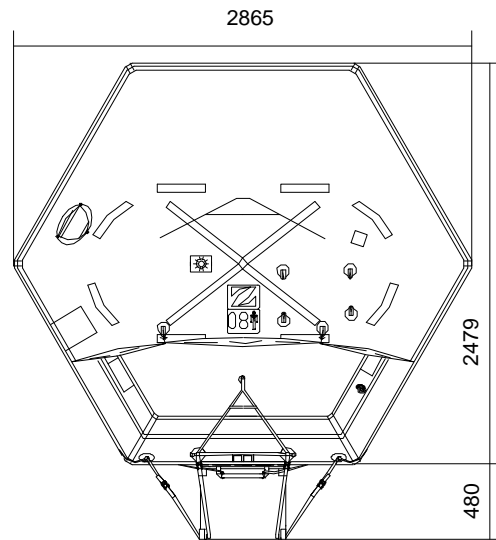
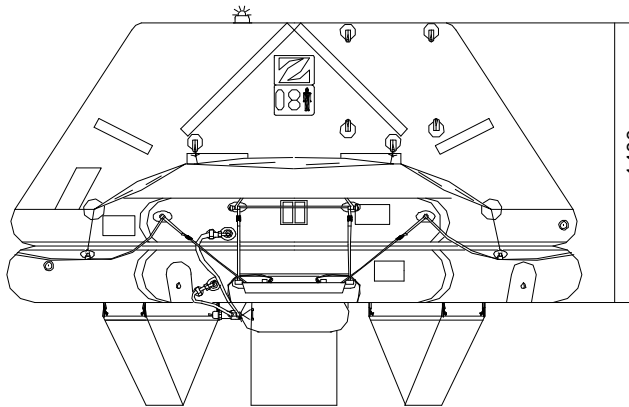
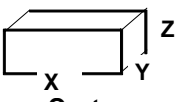


## 8 MAN THROW OVER BOARD LIFERAFT XTREM – LOW PROFILE CONTAINER SOLAS A & B PACK



8 MAN	A PACK			B PACK		
<b>Container</b>	<b>N138H</b>			<b>N138</b>		
<b>Dimensions</b>	X: 840 mm	Y: 570 mm	Z: 340 mm	X: 840 mm	Y: 570 mm	Z: 294 mm
	X: 2' 9,08"	Y: 1' 10,45"	Z: 1' 1,39"	X: 2' 9,08"	Y: 1' 10,45"	Z: 11,58"
<b>Liferaft Net Weight</b>	74 kg / 164 pounds			57 kg / 126 pounds		
<b>Max. height stowage</b>	25 m / 83'			25 m / 83'		
<b>Painter line length</b>	35 m / 115'					
<b>Inflation Cylinder</b>	1 x 6,7 liter					

 <b>Crate</b>	X: 890 mm	Y: 600 mm	Z: 360 mm	X: 890 mm	Y: 600 mm	Z: 310 mm
	X: 2' 11,04"	Y: 1' 11,63"	Z: 1' 2,18"	X: 2' 11,04"	Y: 1' 11,63"	Z: 1' 0,21"
	77 kg / 170 pounds			60 kg / 133 pounds		
	0,193 m3 / 6,79 cubic foot			0,166 m3 / 5,85 cubic foot		

<b>Towing force</b>	<b>2 knots</b>	<b>3 knots</b>
Without sea anchor	49 daN	63 daN
With sea anchor	57 daN	138 daN

<b>Approvals:</b>	<b>EC (MED) – BV – CCS</b>
-------------------	----------------------------

08 TO XTREM EC 22122010 KLT.doc	Issue : 7	Date: 22/12/2010
---------------------------------	-----------	------------------

Dimensions and weight +/- 5%  
 SURVITEC SAS reserves the right to change specification without notice.  
 For installation, add minimum +10mm for clearance to dimensions of the container.