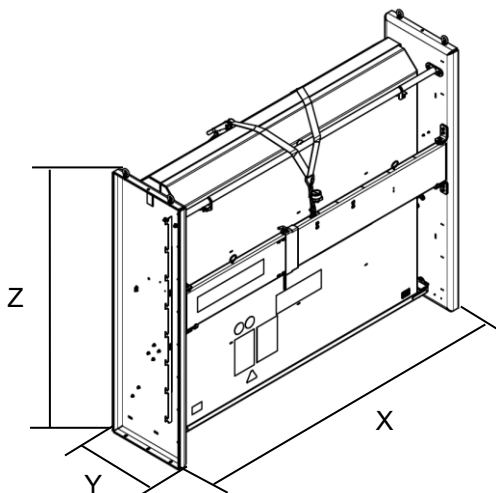
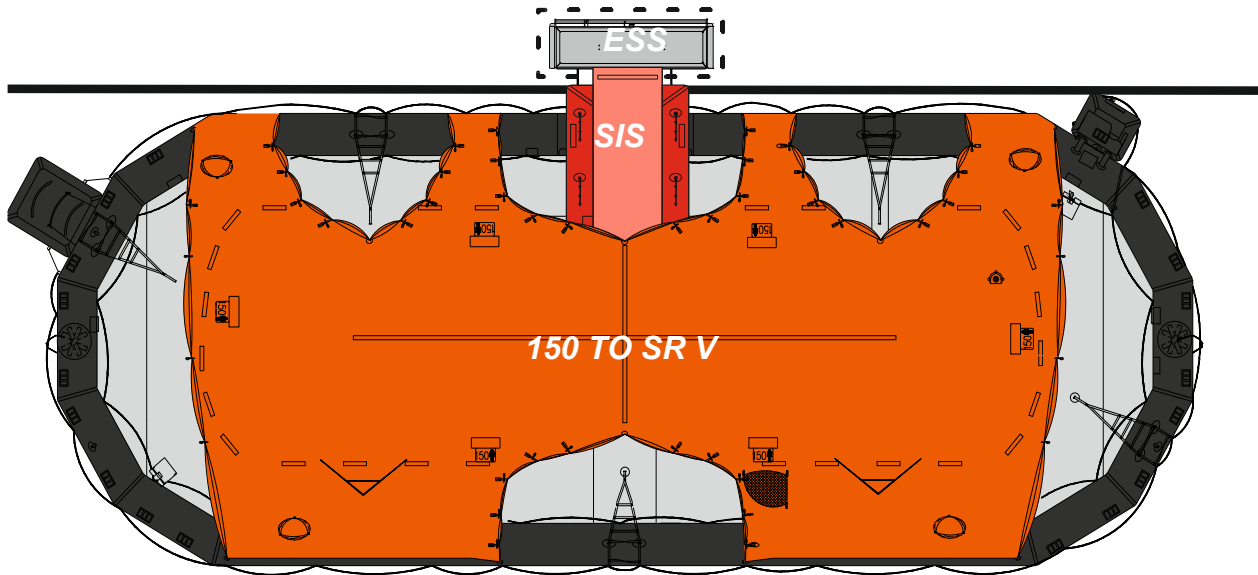


**MARINE EVACUATION SYSTEM (MES)
150 TO SR V WITH CENTRAL BOWING LINES
ASSOCIATED WITH SMALL INFLATABLE SLIDE (SIS) &
AUTOMATIC EVACUATION SLIDE SYSTEM (ESS)***



ESS 150 TO SR V B Pack	ESS 1500		
Maximum height of stowage (SIS)	3,20 m		
Complete System Dimensions	X: 2478mm	Y: 600mm	Z: 2000mm
	X: 8' 1,56"	Y: 1' 11,63"	Z: 6' 6,75"
System Net Weight	765 kg / 1687 pounds		

** ESS system adapted to open deck and tween deck (fitted with door)*

Approvals:	EC
-------------------	-----------

ESS MES SIS CBL 150 TOSRV_boite 1500	Issue: 1	Date: 05/09/2018
--------------------------------------	----------	------------------

Dimensions and weight +/- 5%
SURVITEC SAS reserves the right to change specification without notice.
For installation, add minimum +10mm for clearance to dimensions of the container.