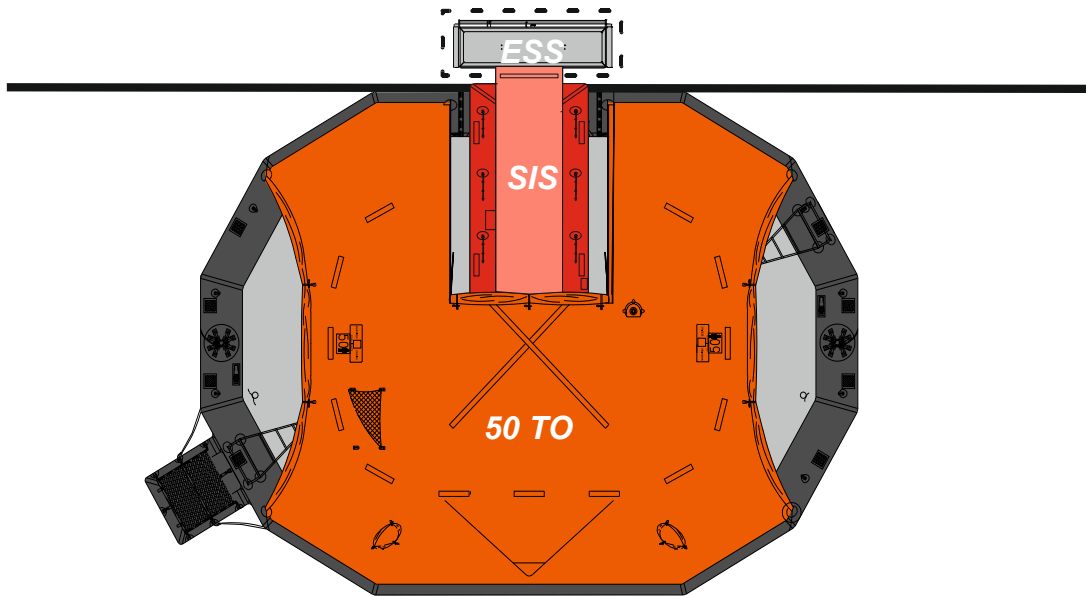
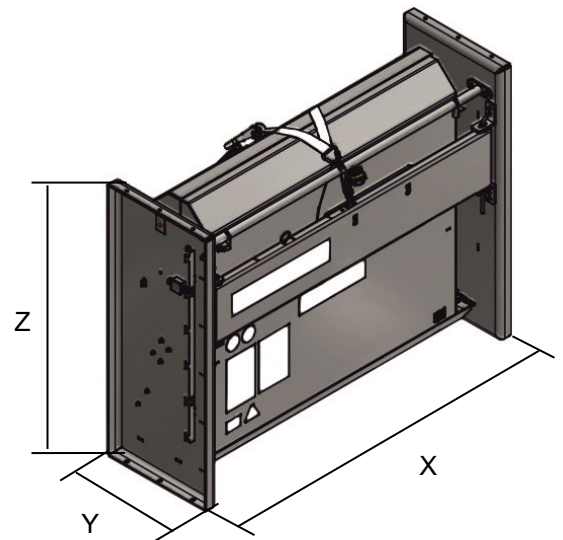


MARINE EVACUATION SYSTEM (MES) 50 TO B Pack WITH CENTRAL BOWSING LINES ASSOCIATED WITH SMALL INFLATABLE SLIDE (SIS) & AUTOMATIC EVACUATION SLIDE SYSTEM (ESS)



ESS 50 TO B Pack	ESS 850		
Maximum height of stowage (SIS)	3,80m		
Complete System Dimensions	X: 1845mm	Y: 600mm	Z: 1420mm
	X: 6' 0,64"	Y: 1' 11,63"	Z: 4' 7,91"
System Net Weight	420 kg / 926 pounds		



Approvals:	EC
-------------------	-----------

ESS MES SIS CBL 50 TO PB	Issue: 1	Date: 05/09/2018
--------------------------	----------	------------------

Dimensions and weight +/- 5%
SURVITEC SAS reserves the right to change specification without notice.
For installation, add minimum +10mm for clearance to dimensions of the container.