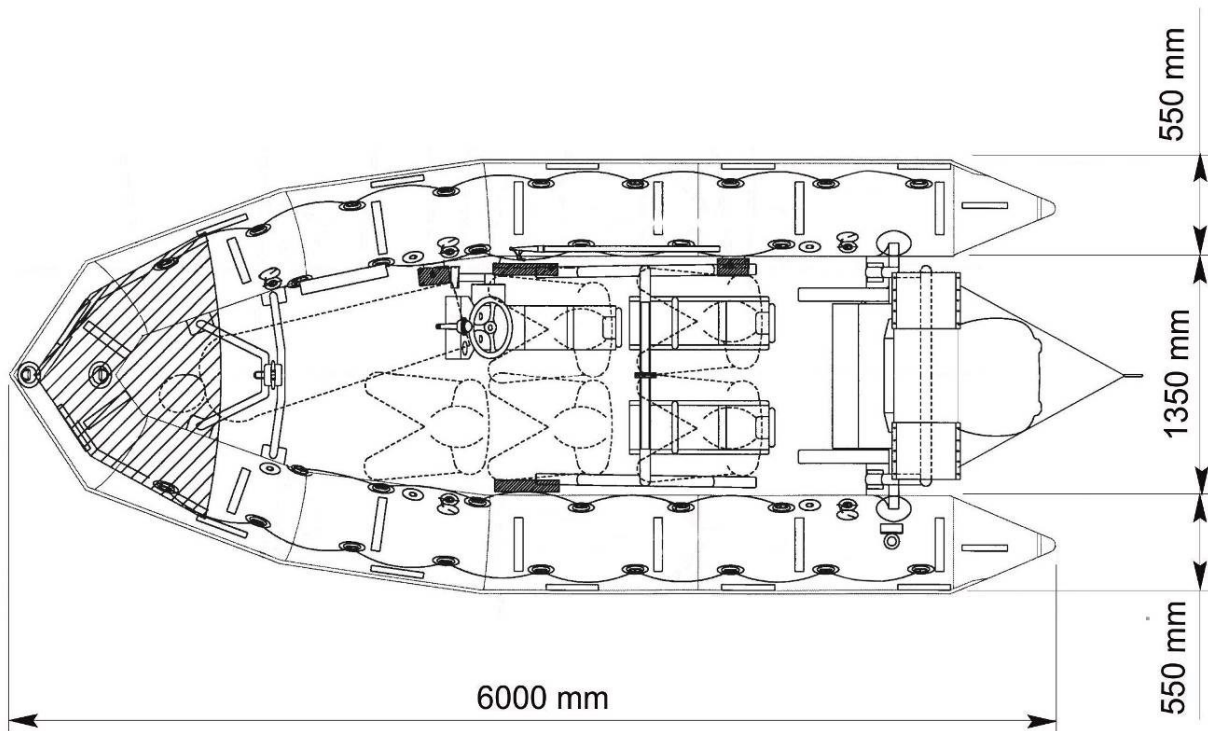
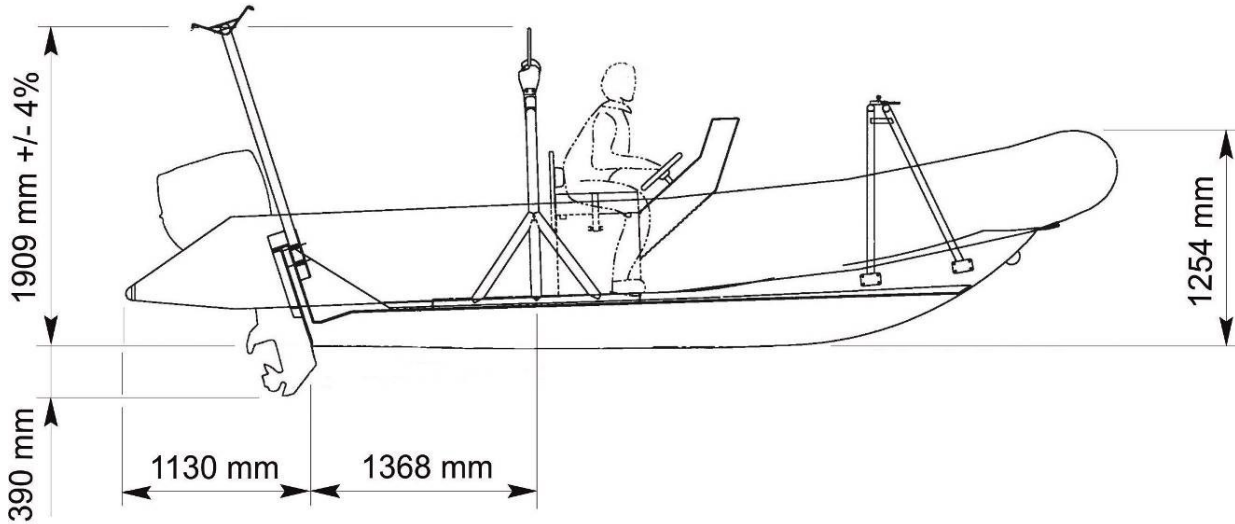


# RESCUE BOAT FRB 600 FRAME



FRB 600 frame.doc

Issue: 8

Date: 21/09/2017

Dimensions and weight +/- 5%  
 SURVITEC SAS reserves the right to change specification without notice.  
 For installation, add minimum +10mm for clearance to dimensions of the container.

CAPACITY				
Number of persons: 6			Buoyancy volume: 2600 l / 92 cft	
DIMENSIONS				
Length		Width		Buoyancy diameter
Overall	Inside	Overall	Inside	0.550 m / 22"
6 m / 19'08"	4.47 m / 14'08"	2.45 m / 8'	1.35 m / 4'05"	
SAFETY / INFLATION				
. 5 airtight compartments		. 5 inflation valves		. 5 overpressure valves
WEIGHT				
With equipment & batteries		With equipment, engine (90 HP) & fuel		Operational weight with 6 passengers (90 HP)
749 kg / 1651 lbs		999 kg / 2202 lbs		1505 kg / 3318 lbs
ENGINE				
Shaft length		Engine power		Fuel tanks
long		75 HP	90 HP	2 x 70 l 2 x 18.5 l USCG
. Fuel tanks integrated in crew seats		. Water separator (2)		
. 3 way valve to switch fuel tank or shut-off fuel line				
ELECTRICAL SYSTEM				
. Dry batteries (2, no acid)		. Battery switch		. Battery charger (1.48 V AC)
TOWING				
. Bow towing post + onload release shackle				
. 1 aft towing V with snap hook			. 2 towing points on transom	
FABRIC				
. Neoprene orange fabric			. Buoyancy	
. Reflective tapes			. Peripheral rubbing strake	
HULL				
. GRP composite rigid orange hull			. Reflective tapes	
. 1 hull drain				

FRB 600 frame.doc

Issue: 8

Date: 21/09/2017

Dimensions and weight +/- 5%  
 SURVITEC SAS reserves the right to change specification without notice.  
 For installation, add minimum +10mm for clearance to dimensions of the container.

TRANSOM			
. 2 self bailers		. Aluminium transom well	
. Engine aluminium mounting plate		. Engine wooden plate	
HANDLING			
. 2 inside lifelines	. 1 peripheral outside lifeline	. 2 paddles' supports	
SELF RIGHTING SYSTEM			
. Self righting frame on transom	. Self righting buoyancy	. CO <sup>2</sup> /N <sup>2</sup> inflation system	
HOISTING			
. Single point lifting frame			
CONSOLE / SEATING			
. Steering console	. 1 pilot jockey seat	. 1 crew jockey seat + handles (2 persons)	
EQUIPMENT FIXED TO THE RESCUE BOAT			
. Towing line (50m)	. Rescue quoits (2)	. Boarding ladder	. Boat hook
. Flashing light	. Radar reflector	. Bow cover	
OTHER EQUIPMENT			
. Compass	. Whistle	. Bailer	. Pump
. Sponge (2)	. Sea anchor	. Repair kit	. Manual
. First aid kit	. Floating knife	. Fire extinguisher	. Equipment bag
. Overall cover	. Electrical torch	. Torch spare bulb & batteries	
. Search light	. Thermal protective aid (2)	. Paddles (2)	
OPTIONS			
. Release hook: SWL ≥ 1500 kg			
. <b>Engines:</b> Evinrude 75 DPL - Towing force: 480 daN Engine weight: 120.5 kg			
Evinrude 90 DPL - Towing force: 490 daN Engine weight: 120.5 kg			
. Propeller pitch: Evinrude 75 HP / 90 HP: 13.25 x 13			

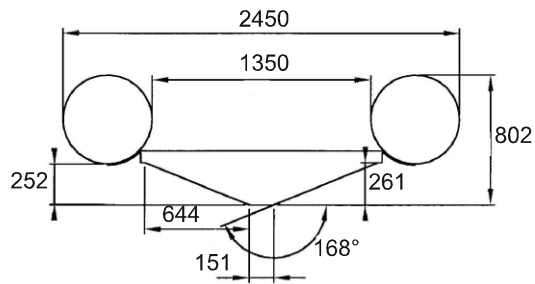
FRB 600 frame.doc

Issue: 8

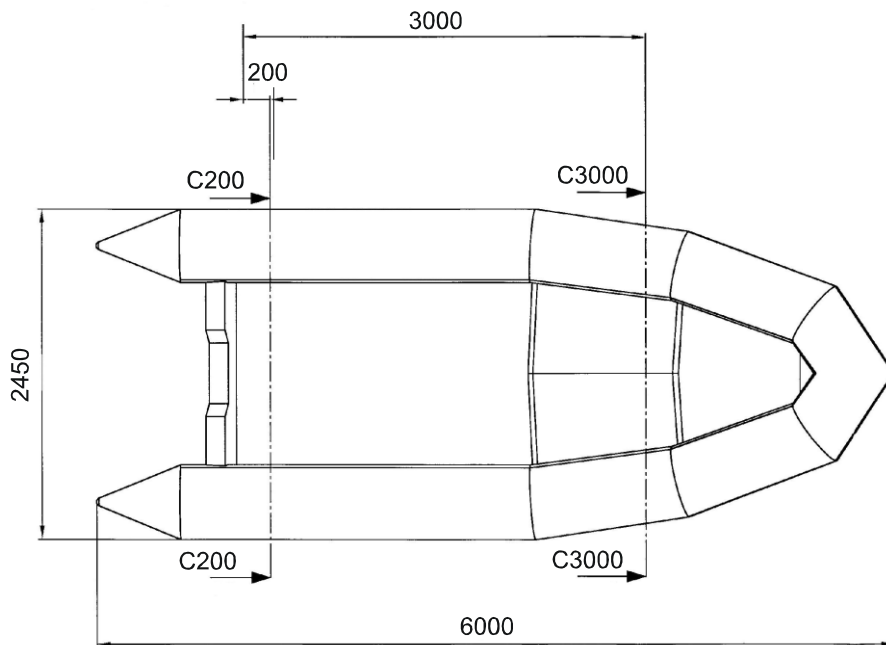
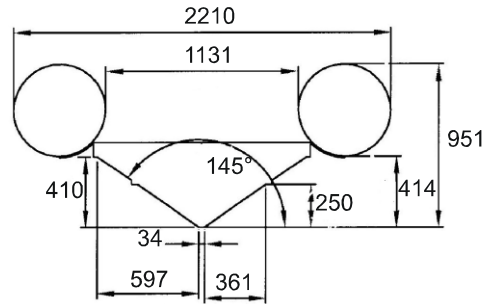
Date: 21/09/2017

Dimensions and weight +/- 5%  
SURVITEC SAS reserves the right to change specification without notice.  
For installation, add minimum +10mm for clearance to dimensions of the container.

COUPE / CUT  
C200 - C200



COUPE / CUT  
C3000 - C3000



Hull profile

FRB 600 frame.doc	Issue: 8	Date: 21/09/2017
-------------------	----------	------------------

Dimensions and weight +/- 5%  
 SURVITEC SAS reserves the right to change specification without notice.  
 For installation, add minimum +10mm for clearance to dimensions of the container.

## FRB 600

Towing frame



Lifting frame



Self righting system

<b>Approvals:</b>	<b>EC (MED)</b>
-------------------	-----------------

FRB 600 frame.doc	Issue: 8	Date: 21/09/2017
-------------------	----------	------------------

Dimensions and weight +/- 5%  
 SURVITEC SAS reserves the right to change specification without notice.  
 For installation, add minimum +10mm for clearance to dimensions of the container.