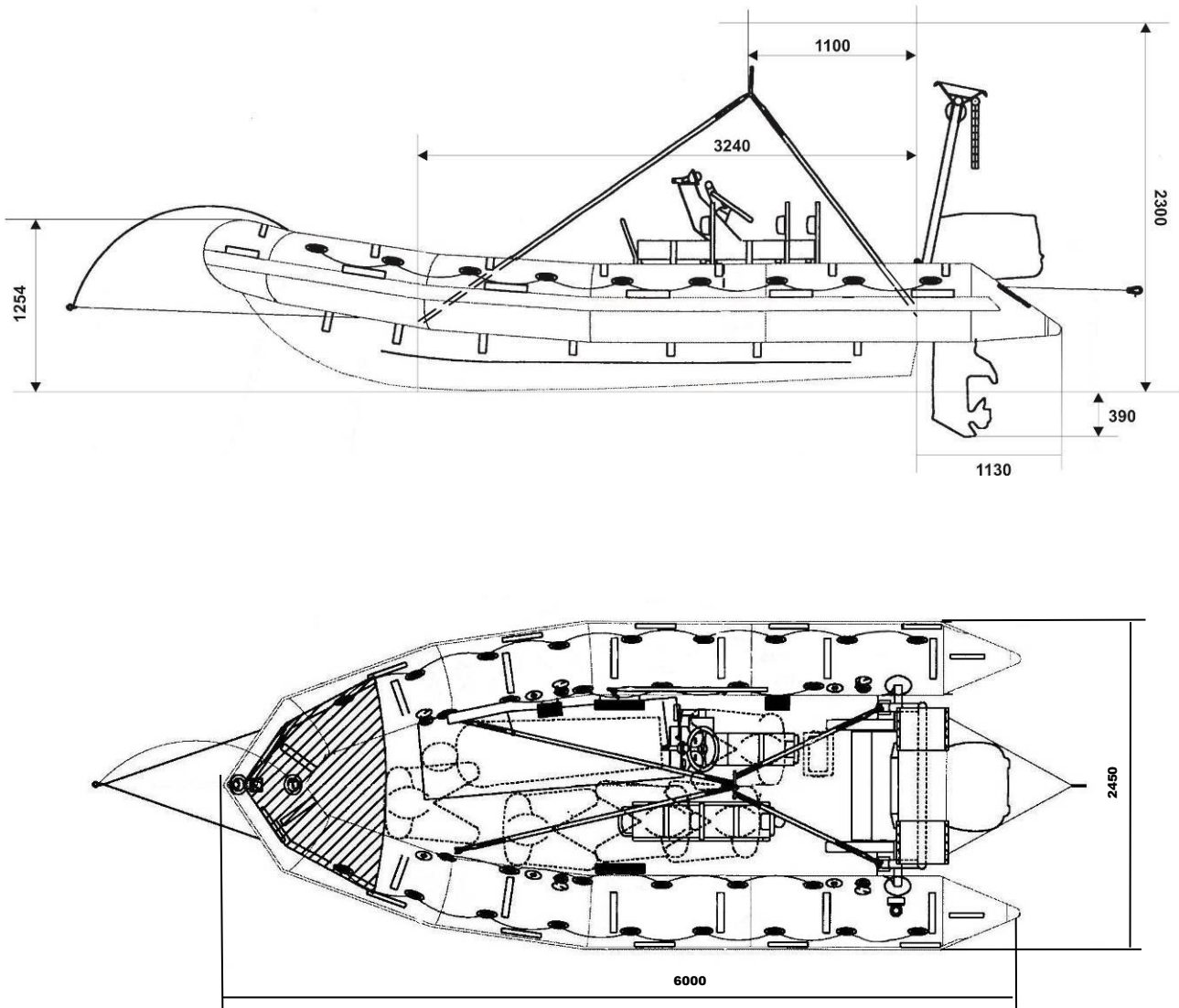


## RESCUE BOAT RIBO 600 SLING



Overall dimensions with lifting system

RIBO 600 21092017 KLT

Issue: 8

Date: 21/09/2017

Dimensions and weight +/- 5%  
 SURVITEC SAS reserves the right to change specification without notice.  
 For installation, add minimum +10mm for clearance to dimensions of the container.

CAPACITY				
Number of persons: 6			Buoyancy volume: 2600 l / 92 cft	
DIMENSIONS				
Length		Width		Buoyancy diameter
Overall	Inside	Overall	Inside	0.550 m / 22"
6 m / 19'08"	4.47 m / 14'08"	2.45 m / 8'	1.35 m / 4'05"	
SAFETY / INFLATION				
. 5 airtight compartments		. 5 inflation valves		. 5 overpressure valves
WEIGHT				
With equipment & batteries		With equipment, engine (90 HP) & fuel		Operational weight with 6 passengers (90 HP)
494 kg / 1089 lbs		785 kg / 1730 lbs		1283 kg / 2828 lbs
ENGINE				
Shaft length		Engine power		Fuel tank
long		75 HP	90 HP	93 l 24.5 l USCG
TOWING				
. 2 bow towing rings on hull		. 1 bow towing V with on load release shackle		
. 2 towing points on transom		. 1 aft towing V with snap hook		
HOISTING				
. 2 bow lifting points		. 2 aft lifting points on transom		. 1 lifting sling
FABRIC				
. Neoprene orange fabric		. Buoyancy		
. Reflective tapes		. Peripheral rubbing strake		
HULL				
. GRP composite rigid orange hull		. Reflective tapes		
. 1 hull drain				

RIBO 600 21092017 KLT

Issue: 8

Date: 21/09/2017

Dimensions and weight +/- 5%  
 SURVITEC SAS reserves the right to change specification without notice.  
 For installation, add minimum +10mm for clearance to dimensions of the container.

TRANSOM			
. 2 self-bailers	. Engine aluminium mounting plate	. Aluminium transom well	. Engine wooden plate
HANDLING			
. 2 inside lifelines	. 1 peripheral outside lifeline	. 2 paddles' supports	
SELF RIGHTING SYSTEM			
. Self-righting frame on transom	. Self-righting buoyancy	. CO <sup>2</sup> /N <sup>2</sup> inflation system	
CONSOLE / SEATING			
. Steering console	. 1 pilot jockey seat	. 1 crew jockey seat + handles (2 persons)	
EQUIPMENT FIXED TO THE RESCUE BOAT			
. Towing line (50m)	. Rescue quoits (2)	. Boarding ladder	. Boat hook
. Positioning light	. Radar reflector	. Bow cover	
OTHER EQUIPMENT			
. Compass	. Whistle	. Bailer	. Pump
. Sponge (2)	. Sea anchor	. Repair kit	. Manual
. First aid kit	. Floating knife	. Fire extinguisher	. Equipment bag
. Search light	. Electrical torch	. Torch spare bulb & batteries	
. Thermal protective aid (2)		. Overall cover	. Paddles (2)
OPTIONS			
. Release hook: SWL ≥ 1500 kg			
. <b>Engines:</b>	Yamaha 75 CETOL -	Towing force: 364 daN	
		Engine weight: 120.5 kg	
	Yamaha 90 AETOL -	Towing force: 382 daN	
		Engine weight: 120.5kg	
	Evinrude E75DPL -	Towing force: 451 daN	
		Engine weight: 145 kg	
	Evinrude E90DPL -	Towing force: 472 daN	
		Engine weight: 145 kg	
. Propeller pitch:	Yamaha	75 HP: 13.25 x 13	90 HP: 13.25 x 15
	Evinrude	75 HP: 13.25 x 13	90 HP: 13.25 x 13

RIBO 600 21092017 KLT

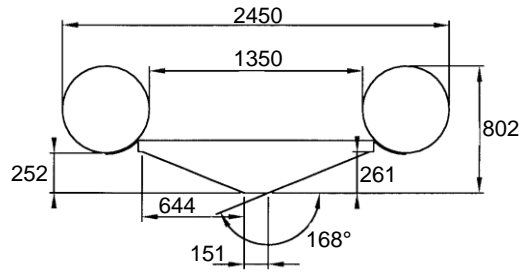
Issue: 8

Date: 21/09/2017

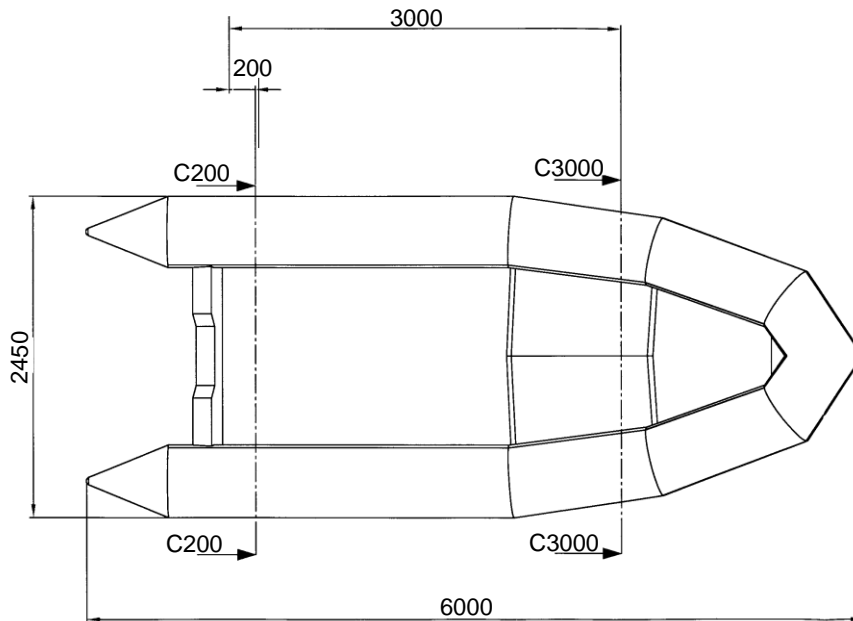
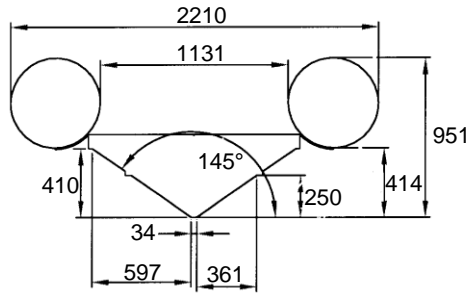
Dimensions and weight +/- 5%

SURVITEC SAS reserves the right to change specification without notice.  
For installation, add minimum +10mm for clearance to dimensions of the container.

COUPE / CUT  
C200 - C200



COUPE / CUT  
C3000 - C3000



Hull profile

<b>Approvals:</b>	<b>EC – TC</b>
-------------------	----------------

RIBO 600 21092017 KLT	Issue: 8	Date: 21/09/2017
-----------------------	----------	------------------

Dimensions and weight +/- 5%  
 SURVITEC SAS reserves the right to change specification without notice.  
 For installation, add minimum +10mm for clearance to dimensions of the container.