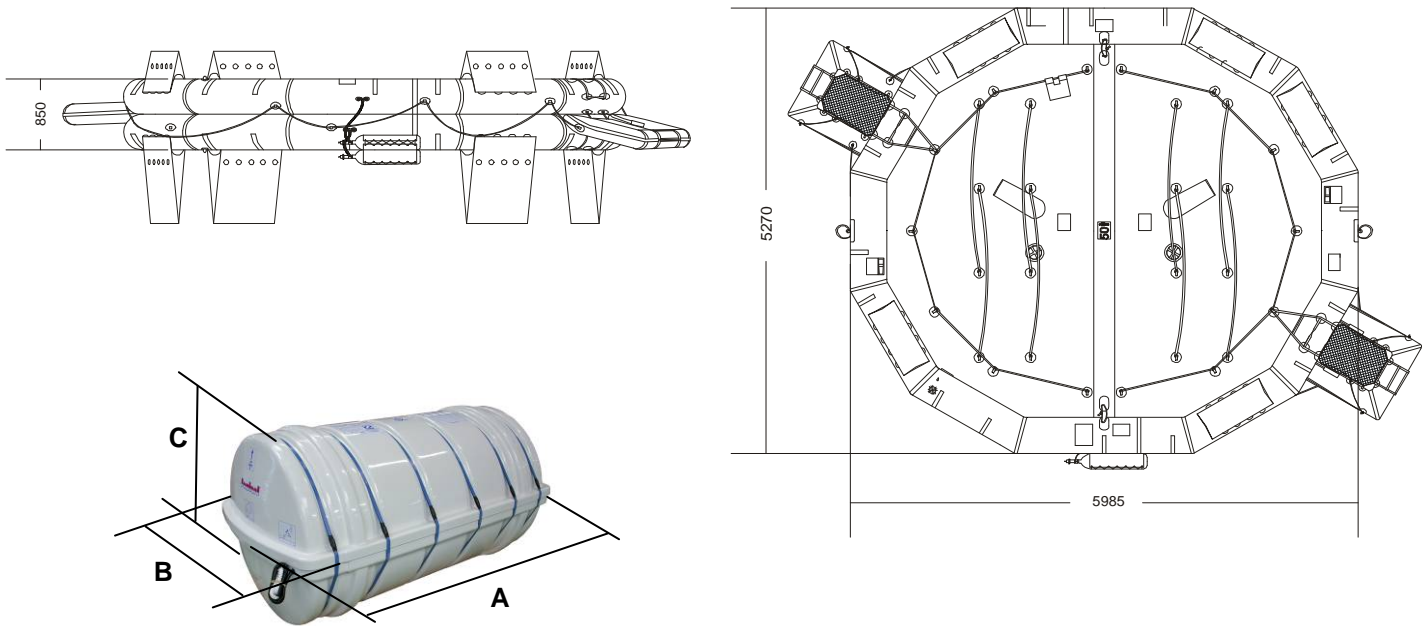
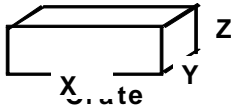


MARINE EVACUATION SYSTEM (MES) ORIL 50 ASSOCIATED WITH SMALL INFLATABLE SLIDE (SIS)

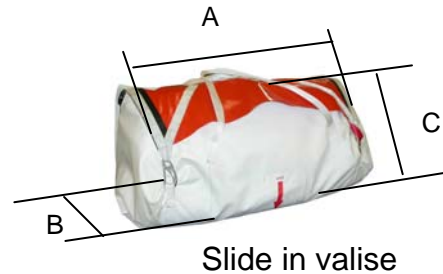


TECHNICAL INFORMATION (SIS information on pages 2 & 3)

50 MAN MES SIS	HSC PACK		
Container	N15		
Dimensions	A: 1275 mm A: 4' 2,2"	B: 800 mm B: 2' 7,5"	C: 740 mm C: 2' 5,14"
Liferaft Net Weight	178 kg / 393 pounds		
Max. height stowage	18 m / 60'		
Painter line length	20 m / 66'		
Inflation Cylinder	2 x 20 liter		
	X: 1350 mm X: 4' 5,15"	Y: 840 mm Y: 2' 9,08"	Z: 900 mm Z: 2' 11,44"
	213 kg / 470 pounds		
	1,021 m ³ / 36,04 cubic foot		
Towing force	2 knots	3 knots	
Without sea anchor	128 daN	190 daN	
With sea anchor	135 daN	200 daN	



SIS (SMALL INFLATABLE SLIDE)



SIS	1,70 m			2,20 m		
Valise						
Dimensions	A:670mm	B:300mm	C:260mm	A:720mm	B:425mm	C:295mm
	A:2' 2,38"	B:1' 1,82"	C:1' 0,24"	A:2' 4,35"	B:1' 4,74"	C:1' 1,62"
Slide net weight	15 kg / 34 pounds			19 kg / 42 pounds		
Max. evacuation height	1,70 m			2,20 m		
Firing line length	1,50 m			1,50 m		
Inflation cylinder	1 x 2,83 litres			1 x 4 litres		

<p>Crate</p>	X:830mm	Y:540mm	Z:330mm	X:830mm	Y:540mm	Z:330mm
	X:2' 8,68"	Y:1' 9,26"	Z:1' 1"	X:2' 8,68"	Y:1' 9,26"	Z:1' 1"
	17,6 kg / 39 pounds			21,6 kg / 48 pounds		
	0,148 m3 / 5,23 cubic foot			0,148 m3 / 5,23 cubic foot		

SIS	2,70 m			3,20 m		
Valise						
Dimensions	A:720mm	B:450mm	C:295mm	A:800mm	B:450mm	C:295mm
	A:2' 4,35"	B:1' 5,72"	C:1' 1,62"	A:2' 7,5"	B:1' 5,72"	C:1' 1,62"
Slide net weight	27 kg / 60 pounds			28,5 kg / 63 pounds		
Max. evacuation height	2,70 m			3,20 m		
Firing line length	1,50 m			1,50 m		
Inflation cylinder	1 x 6 litres			1 x 6,7 litres		

<p>Crate</p>	X:830mm	Y:540mm	Z:330mm	X:830mm	Y:540mm	Z:330mm
	X:2' 8,68"	Y:1' 9,26"	Z:1' 1"	X:2' 8,68"	Y:1' 9,26"	Z:1' 1"
	29,6 kg / 66 pounds			31,1 kg / 69 pounds		
	0,148 m3 / 5,23 cubic foot			0,148 m3 / 5,23 cubic foot		

Approvals: **EC (MED) - TC**

ORIL 50 MES SIS cont rond Zodiac 04042011 KLT.doc Issue: 3 Date: 04/04/2011

Dimensions and weight +/- 5% Zodiac reserves the right to change specification without notice.
 For installation, add minimum +10mm for clearance to dimensions of the container.