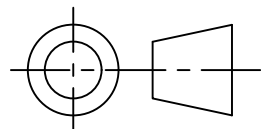


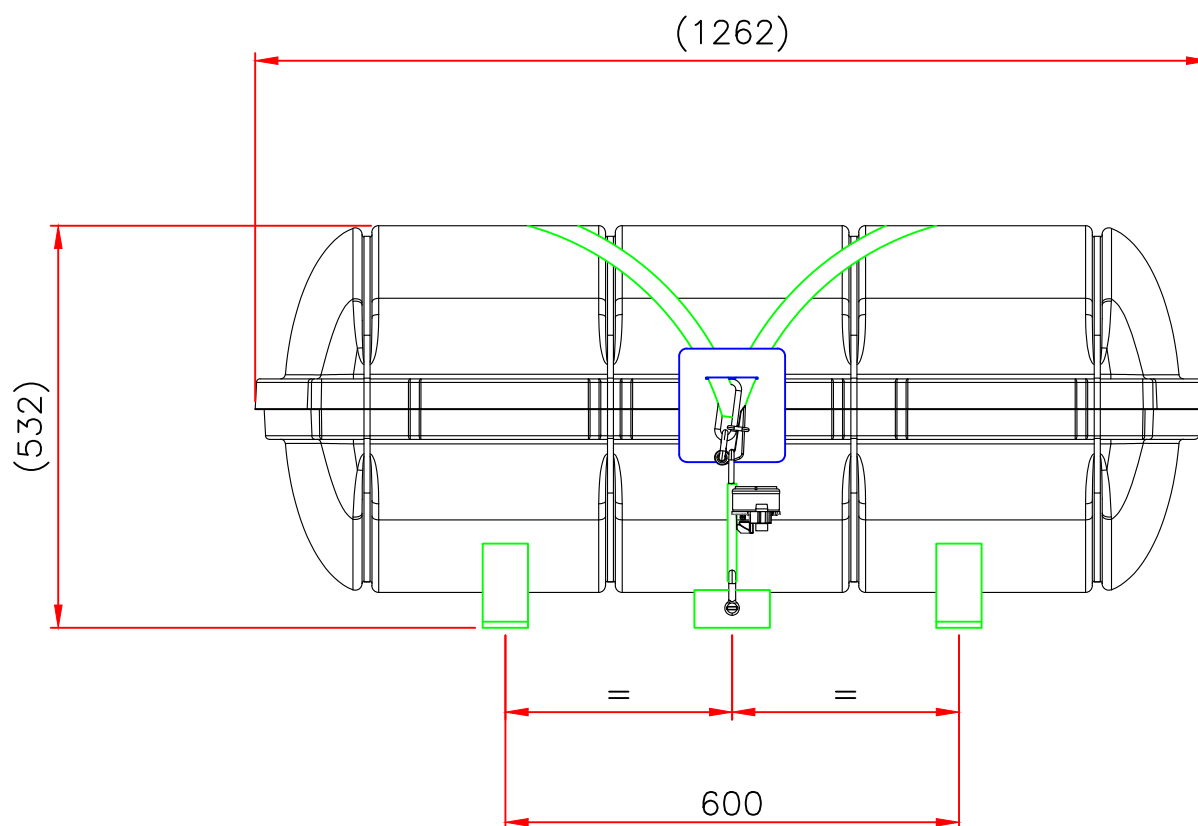
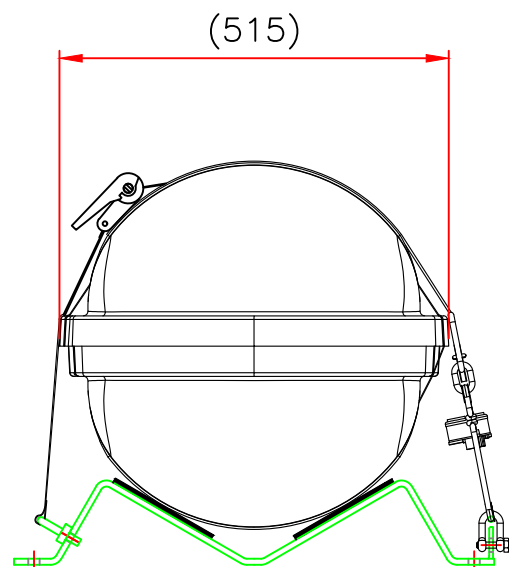
THIRD ANGLE PROJECTION



ALL UNSPECIFIED DIMENSIONS IN MM

DO NOT SCALE – WORK TO FIGURED DIMENSIONS ONLY

IF IN DOUBT ASK



NOTES:

1. SOME ITEMS HAVE BEEN OMITTED FOR CLARITY. REFER TO SHEET 1 FOR ALL ITEMS REQUIRED.

SURVITEC GROUP LIMITED OWNS THE COPYRIGHT OF THIS DRAWING, WHICH IS SUPPLIED IN CONFIDENCE. IT MUST NOT BE USED FOR ANY PURPOSE OTHER THAN THAT FOR WHICH IT IS SUPPLIED AND MUST NOT BE REPRODUCED EXCEPT UNDER AN AGREEMENT OR WITH THE CONSENT IN WRITING OF THE COMPANY. ©



KINGSWAY
DUNMURRY
BELFAST
N. IRELAND
BT17 9AF

DRG TITLE: CRADLE, GROUP – INSTALLATION

SHT TITLE: MK10 SIZE 4

PART No(s). N/A

STATUS: In Review

DRG No.

SHT 5
OF 9
SIZE: A3

CREATED BY: Richard Kerrigan

PROJECT No. DRF5010

D 52639

THIS REV. BY: Richard Kerrigan

DATE FROM: 8/17/2015

REV A

SCALE 1:10 U.O.S.