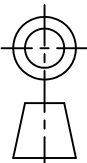


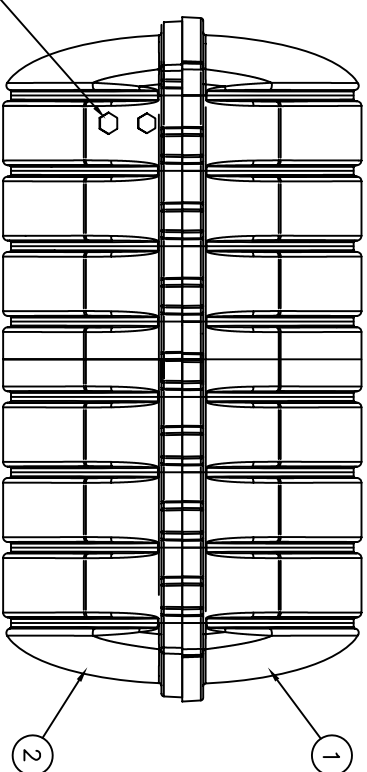
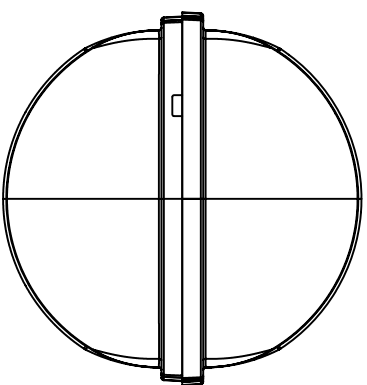
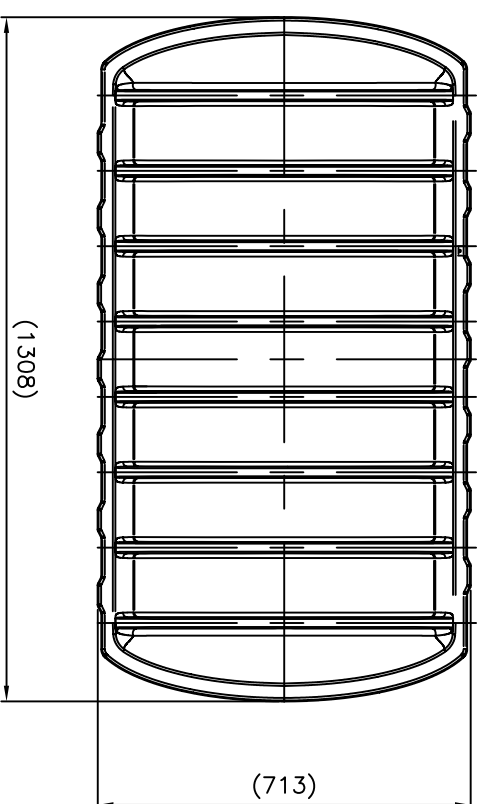
THIRD ANGLE PROJECTION



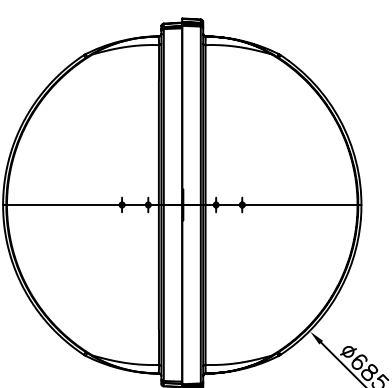
ALL UNSPECIFIED DIMENSIONS IN MM

DO NOT SCALE - WORK TO FIGURED DIMENSIONS ONLY

IF IN DOUBT ASK



THESE CUTOUT
FEATURES ARE ONLY
USED ON CERTAIN
CONTAINER ASSY
P/NS - REFER TO
SUFFIX TABLE



SUFFIX TABLE

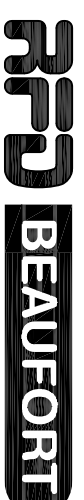
P/N OF CONTAINER ASSY CREATED	REFERENCE ONLY - ASSY FIRST INTENDED FOR USE ON	ITEM 1 P/N (UPPER HALF)	ITEM 2 P/N (LOWER HALF)	HEX CUTOUTS PROVIDED ON LOWER?	COLOUR
50915011	RFD ENDURRA TO	50915111	50915211	YES	WHITE
50915012	RFD SURVIVA TO . LR05 TO & DL	50915111	50915212	NO	WHITE
50915013	RFD SURVIVA TO (GREY)	50915113	50915213	NO	GREY: BS 381C-676
50915014	7.2m SLIDE CONTAINER FOR DANISH NAVY	50915114	50915214	NO	GREY: SCOTT BADER 6275 (HEMPEL 1070)
50915015	RFD SURVIVA TO (GREY)	50915115	50915215	NO	GREY: BS 381C-631
50915016	RFD SURVIVA TO (GREY)	50915112	50915216	NO	GREY: RAL 7030
50915017	RFD SURVIVA TO . LR07 TO & DL	50915116	50915217	NO	WHITE
50915018	FERRYMAN 50	50915111	50915218	NO	WHITE
50915019	LR07	50915117	50915219	NO	Squirrel Grey 18 B 21

NOTES

- CONTAINER UPPER & LOWER HALVES MUST BE MADE FROM THE SAME LAYUP.

ITEM NO.	DRAWING # or PART RESULTING	DESCRIPTION	# INSERT ONLY IF DIFFERENT FROM PART NUMBER	QTY	PART or MATERIAL REQUIRED	SPEC	NOTE
2	--	LOWER HALF, MK14 SIZE 17 TO		1	*	-	-
1	--	UPPER HALF, MK14 SIZE 17 TO		1	*	-	-

SURVITEC GROUP LIMITED OWNS THE COPYRIGHT OF THIS DRAWING, WHICH IS SUPPLIED IN CONFIDENCE. IT MUST NOT BE USED FOR ANY PURPOSE OTHER THAN THAT FOR WHICH IT IS SUPPLIED AND MUST NOT BE REPRODUCED EXCEPT UNDER AN AGREEMENT OR WITH THE CONSENT IN WRITING OF THE COMPANY.



KINGSWAY
DUNMURRY
BELFAST
N. IRELAND
BT17 9AF

DRG TITLE: CONTAINER MK14 SIZE 17 TO & DL		SHT OF 1	
SHT TITLE: THROW OVER ASSEMBLY (INC SURVIVA VARIANT)		SIZE: 6	
PART No(s): SEE SUFFIX TABLE		SCALE: A2	
CREATED BY: jonesm		REV. 10	
THIS REV. BY: whitesidej		EFF. FROM: 05/12/2014	
		SCALE 1:10	

