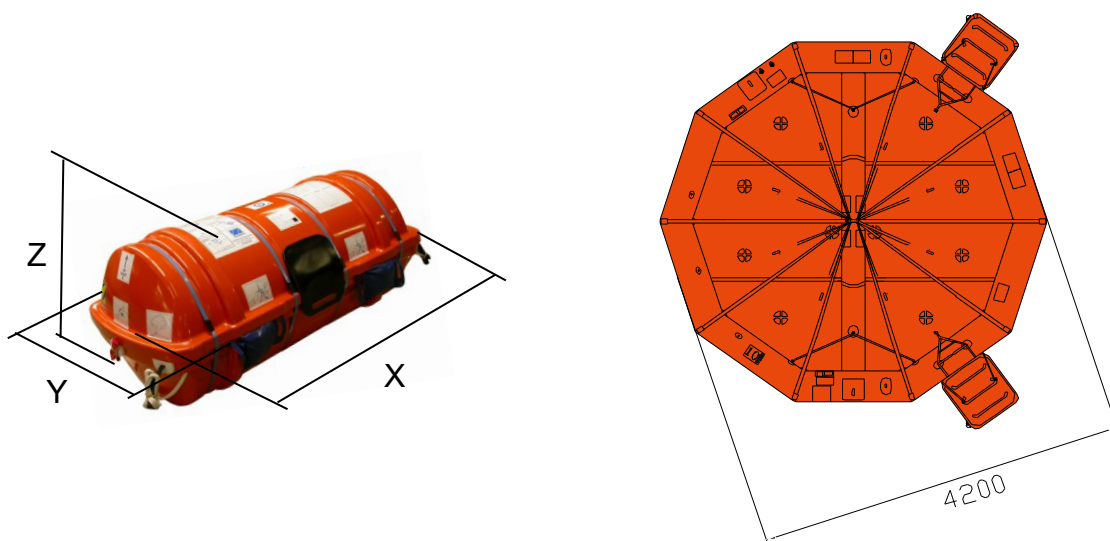
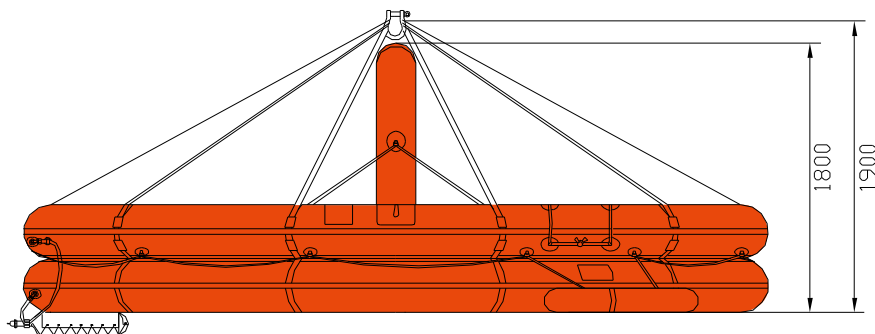
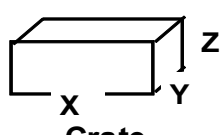


10 PERSON MEAN OF RESCUE ROUND CONTAINER



10 MAN			
Container	N13B		
Dimensions	X: 1275 mm	Y: 610 mm	Z: 590 mm
	X: 4' 2,2"	Y: 2' 0,02"	Z: 1' 11,23"
Liferaft Net Weight	120 kg / 265 pounds		
Painter line length	10 m / 33'		
Inflation Cylinder	1 x 24 liter		
 Crate	X: 1320 mm	Y: 650 mm	Z: 700 mm
	X: 4' 3,97"	Y: 2' "	Z: 1,6
	147 kg / 325 pounds		
	0,601 m ³ / 21,21 cubic foot		

Approvals:	EC (MED) – USCG – BV
-------------------	-----------------------------

MOR 10 cont rond.doc	Issue: 3	Date: 12/10/2015
----------------------	----------	------------------

Dimensions and weight +/- 5%
 SURVITEC SAS reserves the right to change specification without notice.
 For installation, add minimum +10mm for clearance to dimensions of the container.