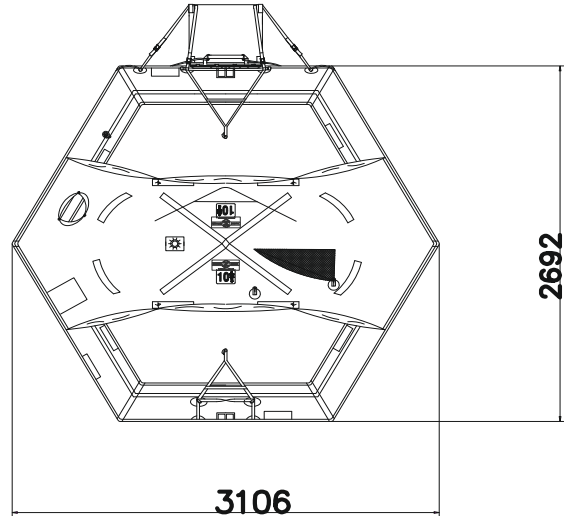
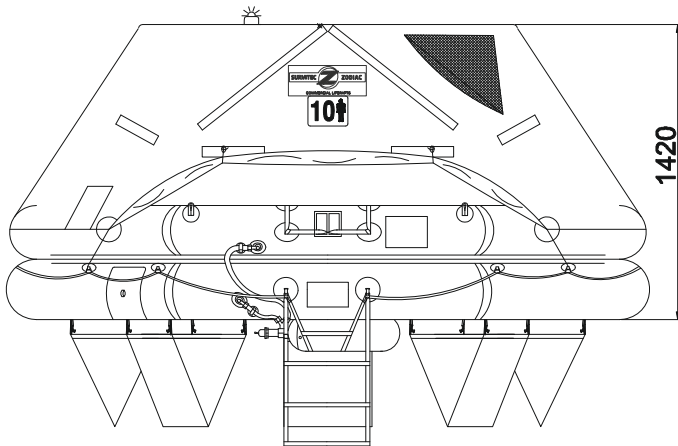
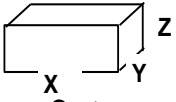


# 10 MAN THROW OVER BOARD LIFERAFT ROUND CONTAINER SOLAS A & B PACK



10 MAN	A PACK			B PACK		
Container	N13			N12		
Dimensions	X: 1275 mm X: 4' 2,2"	Y: 610 mm Y: 2' 0,02"	Z: 590 mm Z: 1' 11,23"	X: 1160 mm X: 3' 9,67"	Y: 560 mm Y: 1' 10,05"	Z: 513 mm Z: 1' 8,2"
Liferaft Net Weight	89 kg / 197 pounds			60 kg / 133 pounds		
Height stowage	25 m / 83'		36 m / 119'	25 m / 83'		36 m / 119'
Painter line length	35 m / 115'		50 m / 165'	35 m / 115'		50 m / 165'
Inflation Cylinder	1 x 6,7 liter					

 Crate	X: 1360 mm X: 4' 5,55"	Y: 650 mm Y: 2' 1,6"	Z: 740 mm Z: 2' 5,14"	X: 1240 mm X: 4' 0,82"	Y: 620 mm Y: 2' 0,41"	Z: 700 mm Z: 2' 3,56"
	107 kg / 236 pounds			74 kg / 164 pounds		
	0,655 m <sup>3</sup> / 23,1 cubic foot			0,539 m <sup>3</sup> / 19,01 cubic foot		

<b>Towing force</b>	<b>2 knots</b>	<b>3 knots</b>
Without sea anchor	45 daN	75 daN
With sea anchor	90 daN	160 daN

**Approvals:** EC (MED) – USCG – TC – RMRS – BV – CCS

10 TO cont rond 13022017 KLT.doc

Issue: 9

Date: 13/02/2017

Dimensions and weight +/- 5%  
SURVITEC SAS reserves the right to change specification without notice.  
For installation, add minimum +10mm for clearance to dimensions of the container.