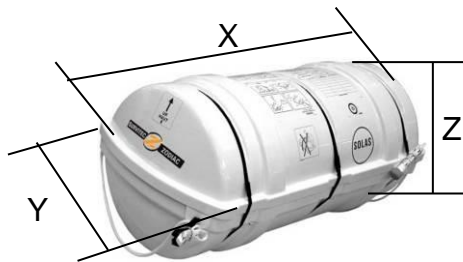
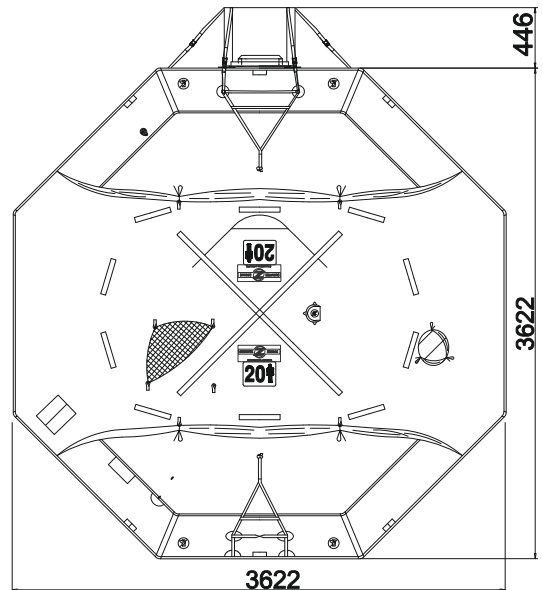
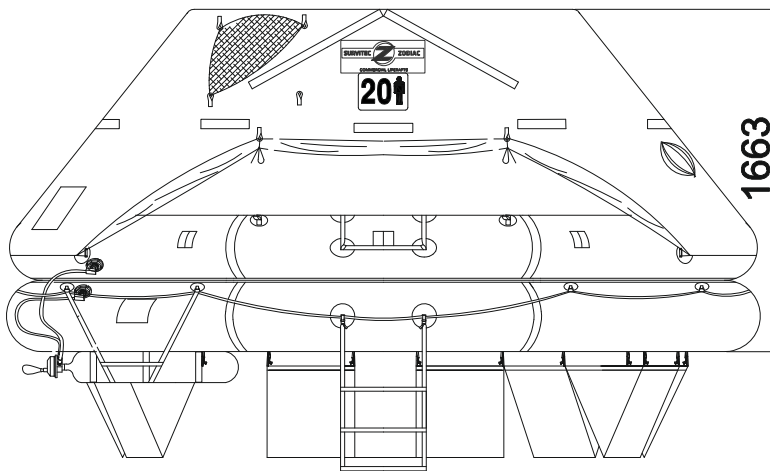
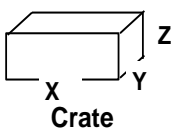


## 20 MAN THROW OVER BOARD LIFERAFT ROUND CONTAINER SOLAS A & B PACK



| 20 MAN              | A PACK              |            |             | B PACK             |             |              |
|---------------------|---------------------|------------|-------------|--------------------|-------------|--------------|
| <b>Container</b>    | <b>N15</b>          |            |             | <b>N13</b>         |             |              |
| Dimensions          | X: 1275 mm          | Y: 800 mm  | Z: 740 mm   | X: 1275 mm         | Y: 610 mm   | Z: 590 mm    |
|                     | X: 4' 2,2"          | Y: 2' 7,5" | Z: 2' 5,14" | X: 4' 2,2"         | Y: 2' 0,02" | Z: 1' 11,23" |
| Liferaft Net Weight | 140 kg / 309 pounds |            |             | 90 kg / 199 pounds |             |              |
| Height stowage      | 25 m / 83'          |            | 36 m / 119' | 25 m / 83'         |             | 36 m / 119'  |
| Painter line length | 35 m / 115'         |            | 50 m / 165' | 35 m / 115'        |             | 50 m / 165'  |
| Inflation Cylinder  | 1 x 15 liter        |            |             |                    |             |              |

|   |                             |             |              |                            |            |             |
|---|-----------------------------|-------------|--------------|----------------------------|------------|-------------|
| <br><b>Crate</b> | X: 1360 mm                  | Y: 840 mm   | Z: 900 mm    | X: 1360 mm                 | Y: 650 mm  | Z: 740 mm   |
|   | X: 4' 5,55"                 | Y: 2' 9,08" | Z: 2' 11,44" | X: 4' 5,55"                | Y: 2' 1,6" | Z: 2' 5,14" |
|   | 160 kg / 353 pounds         |             |              | 110 kg / 243 pounds        |            |             |
|   | 1,029 m3 / 36,31 cubic foot |             |              | 0,655 m3 / 23,1 cubic foot |            |             |

|                     |                |                |
|---------------------|----------------|----------------|
| <b>Towing force</b> | <b>2 knots</b> | <b>3 knots</b> |
| Without sea anchor  | 84 daN         | 115 daN        |
| With sea anchor     | 129 daN        | 200 daN        |

|                   |   |
|-------------------|---|
| <b>Approvals:</b> | <b>EC (MED) – USCG – TC – RMRS – BV – CCS</b> |
|-------------------|---|

|                                  |          |                  |
|----------------------------------|----------|------------------|
| 20 TO cont rond 13022017 KLT.doc | Issue: 9 | Date: 13/02/2017 |
|----------------------------------|----------|------------------|

Dimensions and weight +/- 5%  
SURVITEC SAS reserves the right to change specification without notice.  
For installation, add minimum +10mm for clearance to dimensions of the container.