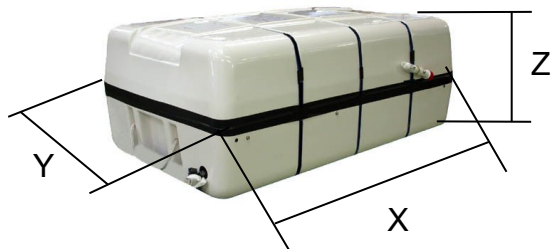
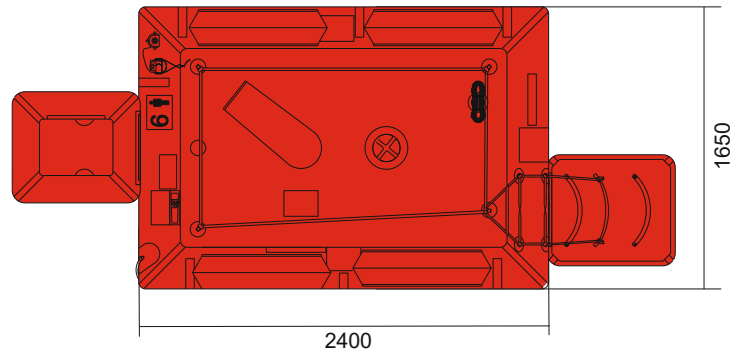
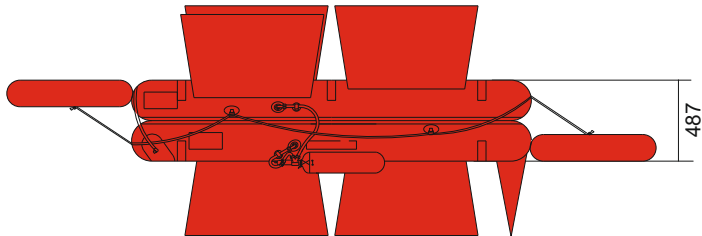
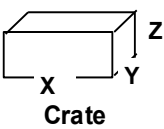


# ORIL 06 MAN

## OPEN REVERSIBLE INFLATABLE LIFERAFT LOW PROFILE CONTAINER (LPC) – ROUND CONTAINER



06 MAN	HSC PACK			HSC PACK		
Container	N131			N11		
Dimensions	X: 825 mm	Y: 540 mm	Z: 318 mm	X: 1020 mm	Y: 476 mm	Z: 440 mm
	X: 2' 8,49"	Y: 1' 9,26"	Z: 1' 0,52"	X: 3' 4,16"	Y: 1' 6,75"	Z: 1' 5,33"
Liferaft Net Weight	38 kg / 84 pounds			40 kg / 89 pounds		
Max. height stowage	18 m / 60'					
Painter line length	18 m / 60'					
Inflation Cylinder	1 x 4 liter					
 Crate	X: 830 mm	Y: 540 mm	Z: 330 mm	X: 1110 mm	Y: 590 mm	Z: 590 mm
	X: 2' 8,68"	Y: 1' 9,26"	Z: 1' 1"	X: 3' 7,71"	Y: 1' 11,23"	Z: 1' 11,23"
	41 kg / 91 pounds			51 kg / 113 pounds		
	0,148 m <sup>3</sup> / 5,23 cubic foot			0,387 m <sup>3</sup> / 13,65 cubic foot		
<b>Towing force</b>	<b>2 knots</b>			<b>3 knots</b>		
Without sea anchor	28 daN			60 daN		
With sea anchor	85 daN			155 daN		

**Approvals:** **EC (MED) – BV**

ORIL 06 cont rond & LPC.doc Issue: 6 Date: 21/02/2017

Dimensions and weight +/- 5%  
SURVITEC SAS reserves the right to change specification without notice.  
For installation, add minimum +10mm for clearance to dimensions of the container.